

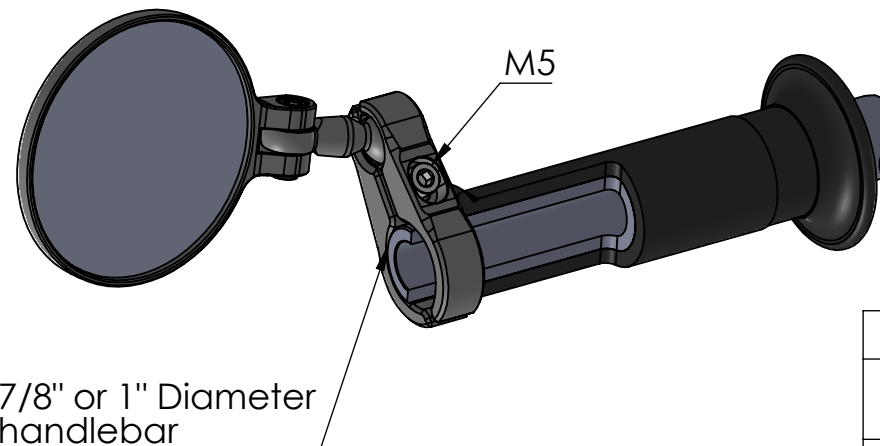
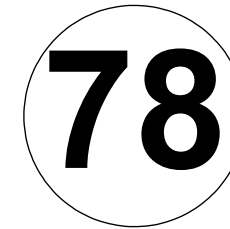
Adaptor 78 Instructions


SKU: MIF-7578

Preparation:

Before installing your new purchase please read and understand these instructions fully and make sure you have the required tools at hand.

1. Remove the original bar end and any fittings from the handlebar.
2. This mirror fits 7/8" and 1" diameter handlebars only. You will need to allow a minimum of 14mm plain bar to mount the mirror.
3. Slide the mirror unit onto the handlebar and loosely tighten the M5 bolt so that there is enough resistance that it holds the mirror in position but allows it to move.
4. Sit on the bike and adjust the whole mirror unit until the clamp is in the correct position and fully tighten down the M5 bolt. You will now be able to fine tune the mirror glass position independent of the clamp. A good tip for best viewing is to point the clamp forward rather than vertically.
5. Repeat if a pair of mirrors were purchased.
6. We suggest you apply a very small amount of thread locker to all fasteners. DO NOT use red Loctite. Periodically recheck all fastenings for tightness.



DO NOT SCALE DRAWING		REVISION:
		
TITLE: <h2 style="margin: 0;">Folding Mirror</h2>		
DWG NO:		A4
<h3 style="margin: 0;">Installation Instructions</h3>		
SCALE:		

PROPRIETARY AND CONFIDENTIAL

THE INFORMATION CONTAINED IN THIS DRAWING IS THE SOLE PROPERTY OF OBERON PERFORMANCE LTD. ANY REPRODUCTION IN PART OR AS A WHOLE WITHOUT THE WRITTEN PERMISSION OF OBERON PERFORMANCE LTD IS PROHIBITED.

Adaptor 06, 08, 10, 26, 28 & 52

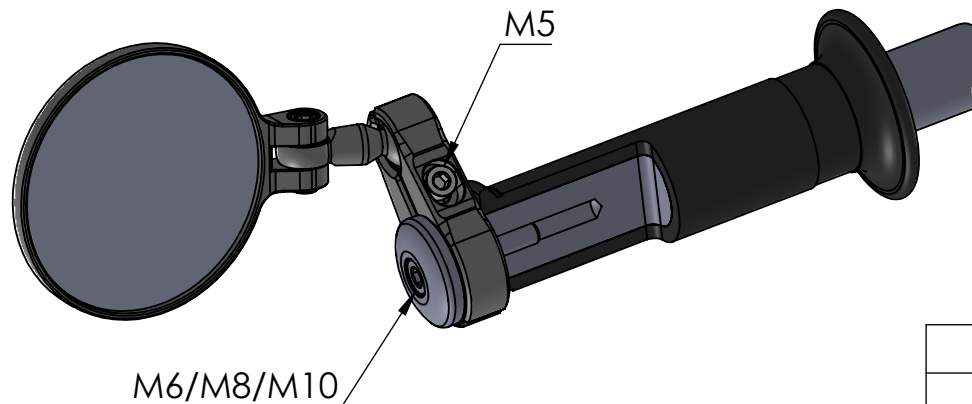
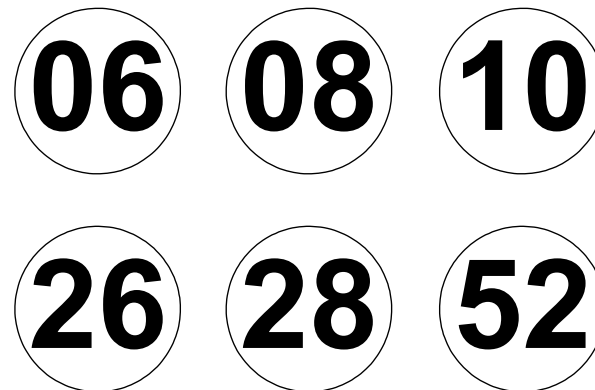
Instructions

SKU: MIF-7506, MIF-7508, MIF-7510
MIF-7526, MIF-7528, MIF-7552

Preparation:


Before installing your new purchase please read and understand these instructions fully and make sure you have the required tools at hand.

1. Remove the original bar end and any fittings from the handlebar.
2. Position the mirror over the plain portion of the barend and then tightly bolt the complete unit to your handlebar using the M6/M8/M10 bolt depending on your fitting kit.
3. Loosely tighten the M5 bolt so that there is enough resistance that it holds the mirror in position but still allows it to move.
4. Sit on the bike and adjust the whole mirror unit until the clamp is in the correct position and fully tighten down the M5 bolt. You will now be able to fine tune the mirror glass position independent of the clamp. A good tip for best viewing is to point the clamp forward rather than vertically.
5. Repeat if a pair of mirrors were purchased.
6. We suggest you apply a very small amount of thread locker to all fasteners. DO NOT use red Loctite. Periodically recheck all fastenings for tightness.



PROPRIETARY AND CONFIDENTIAL

THE INFORMATION CONTAINED IN THIS DRAWING IS THE SOLE PROPERTY OF OBERON PERFORMANCE LTD. ANY REPRODUCTION IN PART OR AS A WHOLE WITHOUT THE WRITTEN PERMISSION OF OBERON PERFORMANCE LTD IS PROHIBITED.

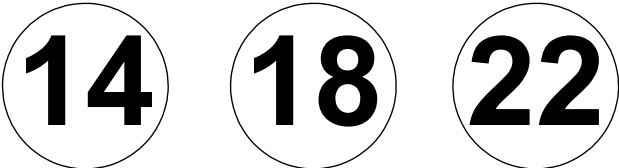
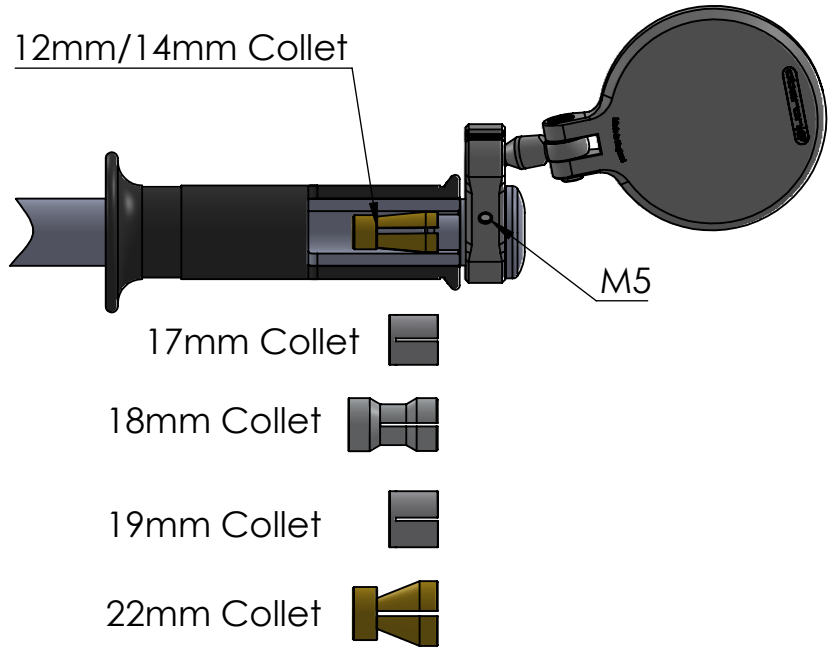
DO NOT SCALE DRAWING		REVISION:
		
TITLE: Folding Mirror		
DWG NO: Installation Instructions		A4
SCALE:		

Adaptor 14, 18 & 22 Instructions

SKU: MIF-7514, MIF-7518, MIF-7522


Preparation:
Before installing your new purchase please read and understand these instructions fully and make sure you have the required tools at hand.

1. Remove the original bar end and any fittings from the handlebar.
2. Check that the internal bore is clear of obstructions and burrs. Measure the internal bore and note down the size. Select the largest collet/adaptor that will fit into the hole with out forcing it in.
3. If one of the aluminium adaptors is a closer fit, slide this over the 14mm brass collet with the open end of the machined slots facing outwards.
4. Skip section 4. if the internal bore of the handlebars is above 13.5mm.
For bars with an internal bore smaller than the collet (down to 12mm). Push the mirror bar end into the bar using the hex drive key in the bolt. If the collet does not collapse readily then loosen the bolt further and persuade the bolt by tapping against the hex key with a soft mallet. The brass collet should collapse fairly easily and slide into the handlebar. Lightly tighten the bolt so that the bar end can still rotate with some form of resistance.
5. For bars with bores above 14mm use the adaptors or dedicated collets. For 18mm or 22mm replace the complete collet. For 17mm or 19mm slide the required adaptor over the brass collet and push the mirror bar end into the handlebar using the 5mm hex drive key. Fully tighten the bolt.
6. Loosen the M5 bolt off so that the mirror assembly can be mounted onto the plain portion of the barend then loosely tighten the M5 bolt so that there is enough resistance that it holds the mirror in position but allows it to move.
7. Sit on the bike and adjust the whole mirror unit until the clamp is in the correct position and fully tighten down the M5 bolt. You will now be able to fine tune the mirror glass position independent of the clamp. A good tip for best viewing is to point the clamp forward rather than vertically.
8. Repeat if a pair of mirrors were purchased.
9. We suggest you apply a very small amount of thread locker to all fasteners. **DO NOT** use red Loctite. Periodically recheck all fastenings for tightness.



PROPRIETARY AND CONFIDENTIAL

THE INFORMATION CONTAINED IN THIS DRAWING IS THE SOLE PROPERTY OF OBERON PERFORMANCE LTD. ANY REPRODUCTION IN PART OR AS A WHOLE WITHOUT THE WRITTEN PERMISSION OF OBERON PERFORMANCE LTD IS PROHIBITED.

DO NOT SCALE DRAWING		REVISION:
		
TITLE:		
<h2>Folding Mirror</h2>		
DWG NO:	Installation Instructions	A4
SCALE:		

Adaptor 16 Instructions

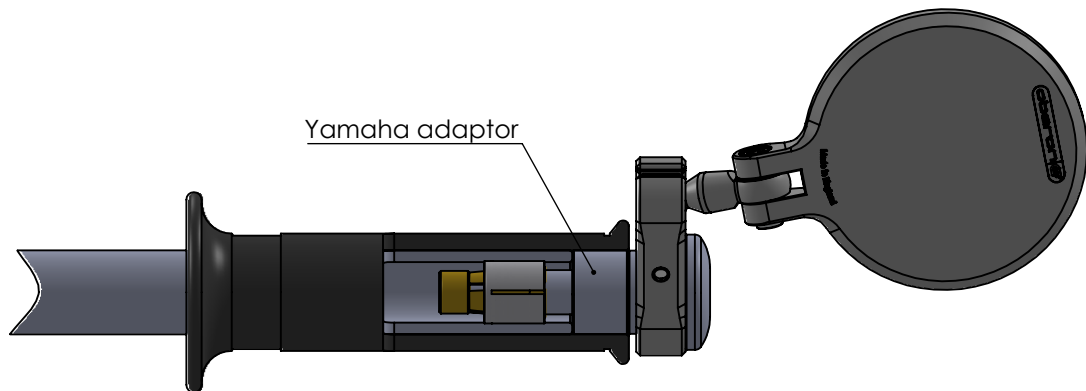
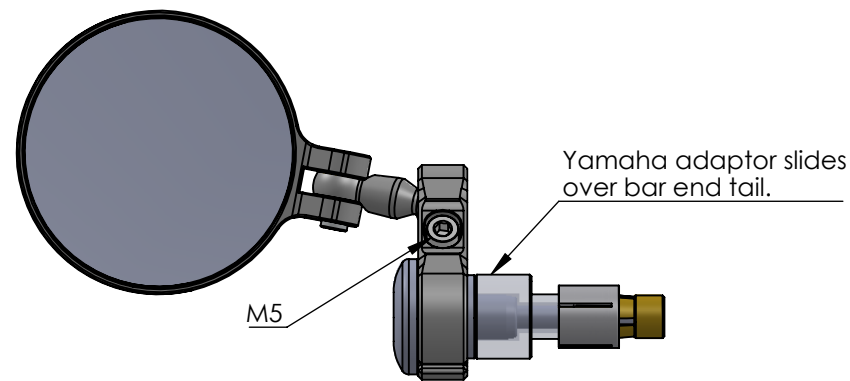
SKU: MIF-7516

16

Preparation:


Before installing your new purchase please read and understand these instructions fully and make sure you have the required tools at hand.

1. Remove the original bar end and any fittings from the handlebar.
2. Check that the internal bore is clear of obstructions and burrs. Select the largest collet that will fit into the hole with out forcing it in.
3. If one of the aluminium adaptors is a closer fit, slide this over the 14mm brass collet with the open end of the machined slots facing outwards. Push the mirror bar end into the handlebar using the 5mm hex drive key. Fully tighten the bolt.
4. Loosen the M5 bolt off so that the mirror assembly can be mounted onto the plain portion of the barend then loosely tighten the M5 bolt so that there is enough resistance that it holds the mirror in position but allows it to move.
5. Sit on the bike and adjust the whole mirror unit until the clamp is in the correct position and fully tighten down the M5 bolt. You will now be able to fine tune the mirror glass position independent of the clamp. A good tip for best viewing is to point the clamp forward rather than vertically.
6. Repeat if a pair of mirrors were purchased.
7. We suggest you apply a very small amount of thread locker to all fasteners. DO NOT use red Loctite. Periodically recheck all fastenings for tightness.



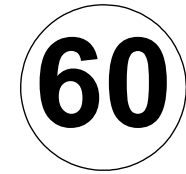
PROPRIETARY AND CONFIDENTIAL

THE INFORMATION CONTAINED IN THIS DRAWING IS THE SOLE PROPERTY OF OBERON PERFORMANCE LTD. ANY REPRODUCTION IN PART OR AS A WHOLE WITHOUT THE WRITTEN PERMISSION OF OBERON PERFORMANCE LTD IS PROHIBITED.

DO NOT SCALE DRAWING		REVISION:
		
TITLE: <h2 style="margin: 0;">Folding Mirror</h2>		
DWG NO:		A4
<h3 style="margin: 0;">Installation Instructions</h3>		
SCALE:		

Adaptor 60 Instructions

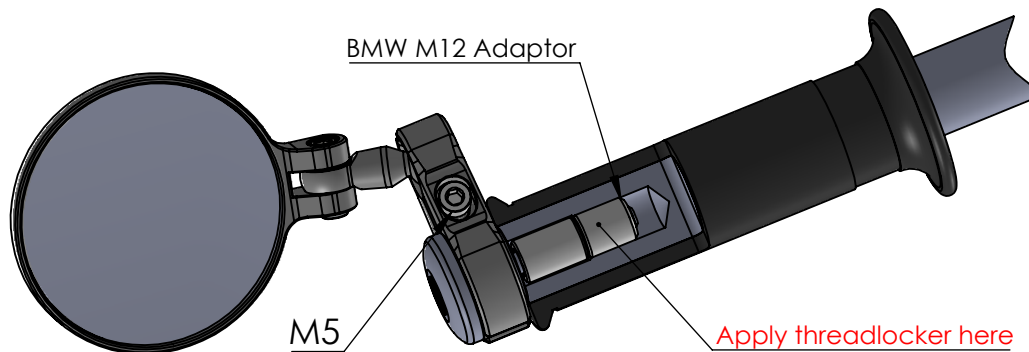
SKU: MIF-7560



Preparation:

Before installing your new purchase please read and understand these instructions fully and make sure you have the required tools at hand.

1. Remove the original bar end and any fittings from the handlebar.
2. Apply thread locker to M12 adaptor and drive home using a 6mm hex drive. Leave to cure. Red Loctite is recommended.
3. Bolt bar end onto the end of the handlebar using the 5mm hex drive key. Fully tighten the bolt.
4. Loosen the M5 bolt off so that the mirror assembly can be mounted onto the plain portion of the barend then loosely tighten the M5 bolt so that there is enough resistance that it holds the mirror in position but allows it to move.
5. Sit on the bike and adjust the whole mirror unit until the clamp is in the correct position and fully tighten down the M5 bolt. You will now be able to fine tune the mirror glass position independent of the clamp. A good tip for best viewing is to point the clamp forward rather than vertically.
6. Repeat if a pair of mirrors were purchased.
7. We suggest you apply a very small amount of thread locker to all fasteners. DO NOT use red Loctite. Periodically recheck all fastenings for tightness.



PROPRIETARY AND CONFIDENTIAL

THE INFORMATION CONTAINED IN THIS DRAWING IS THE SOLE PROPERTY OF OBERON PERFORMANCE LTD. ANY REPRODUCTION IN PART OR AS A WHOLE WITHOUT THE WRITTEN PERMISSION OF OBERON PERFORMANCE LTD IS PROHIBITED.

DO NOT SCALE DRAWING		REVISION:
TITLE: <h2>Folding Mirror</h2>		
DWG NO: <h3>Installation Instructions</h3>		A4
SCALE:		