

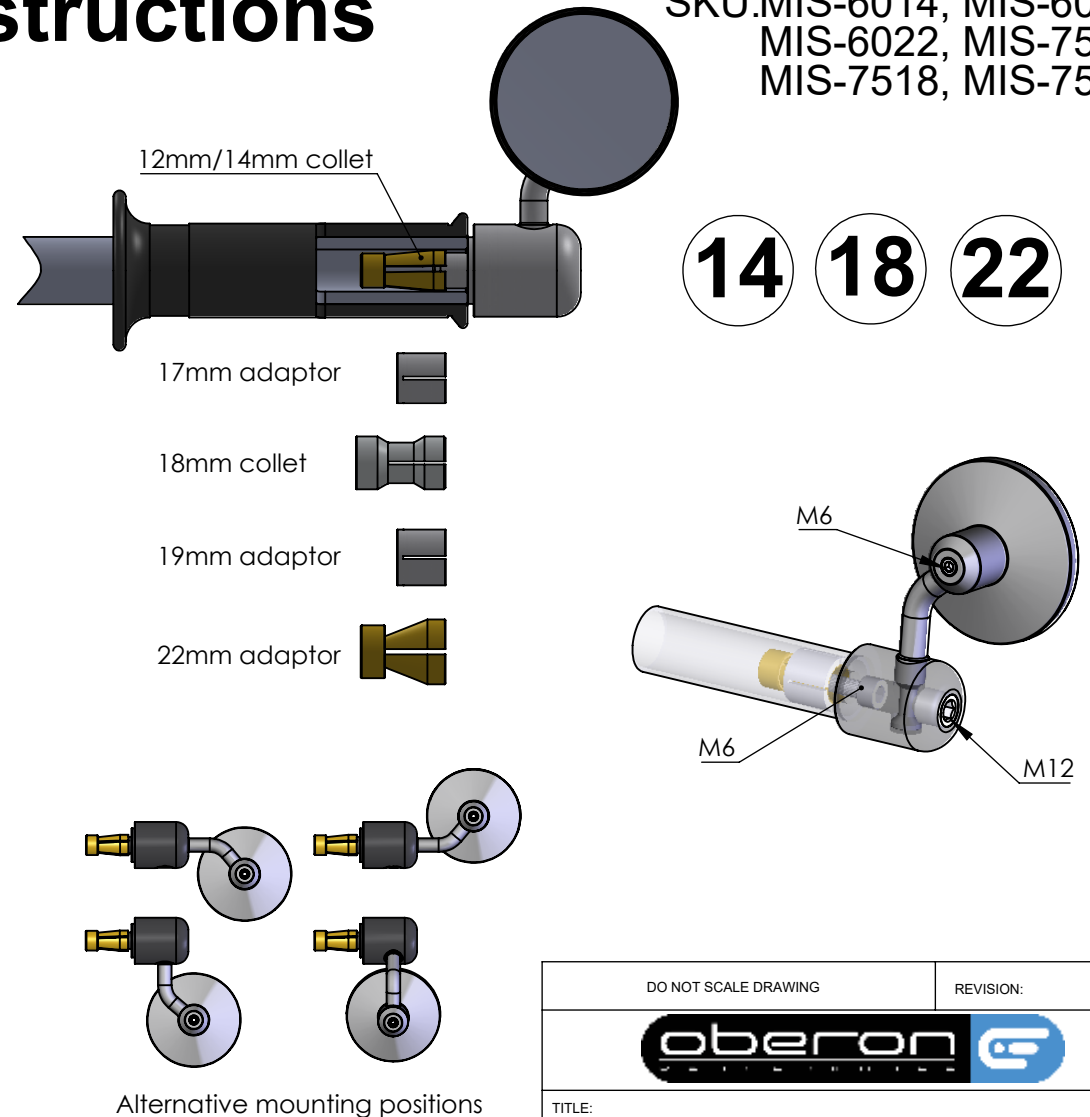
# Adaptor 14, 18 & 22 Instructions

SKU: MIS-6014, MIS-6018  
 MIS-6022, MIS-7514  
 MIS-7518, MIS-7522

## Preparation:

Before installing your new purchase please read and understand these instructions fully and make sure you have the required tools at hand.

1. Remove the original bar end and any fittings from the handlebar.
2. Check that the internal bore is clear of obstructions and burrs. Measure the internal bore and note down the size. Select the largest collet/adaptor that will fit into the hole with out forcing it in.
3. If one of the aluminium adaptors is a closer fit, slide this over the 14mm brass collet with the open end of the machined slots facing outwards.
4. Remove the 12mm grub screw with a 6mm hex drive key and withdraw the mirror arm from the bar end. Slightly loosen the M6 fastener which is located inside the bar end with a 5mm hex drive key. Skip section 5. if the internal bore of the handlebars is above 13.5mm.
5. For bars with an internal bore smaller than the collet (down to 12mm). Push the mirror bar end into the bar using the hex drive key in the bolt. If the collet does not collapse readily then loosen the bolt further and persuade the bolt by tapping against the hex key with a soft mallet. The brass collet should collapse fairly easily and slide into the handlebar. Lightly tighten the bolt so that the bar end can still rotate with some form of resistance.
6. For bars with bores above 14mm use the adaptors or dedicated collets. For 18mm or 22mm replace the complete collet. For 17mm or 19mm slide the required adaptor over the brass collet as shown in the diagram and push the mirror bar end into the handlebar using the 5mm hex drive key. Lightly tighten the bolt so that the bar end can still rotate with some form of resistance.
7. Re-assemble the mirror arm/bezel into the mirror bar end, using any of the different mounting positions. Use the 12mm grub screw to lightly tighten the arm in place allowing a degree of rotation for alignment.
8. Adjust the 6mm bolt in the back of the bezel to allow some form of movement with resistance. Sit on the bike and adjust the mirror bezel, arm and bar end to it's best position. Before moving on to step 9. carefully remove the arm and bezel. Tighten the M6 bolt inside the bar end as tight as you can. Be careful on thin walled handlebar's not to expand the handlebar diameter to interfere with throttle rotation.
9. Replace the mirror arm and bezel and insert the M12 grub screw, again allowing the arm to rotate with some resistance.
10. Now spend as much time as you need to adjust the mirror to it's 'ideal' position. Double check the position and re-adjust as necessary. When satisfied the mirror is in the correct position tighten all of the grub screws.
11. Repeat if a pair of mirrors were purchased.
12. We suggest you apply a very small amount of thread locker to all fasteners. DO NOT use red Loctite. Periodically recheck all fastenings for tightness.



**PROPRIETARY AND CONFIDENTIAL**  
 THE INFORMATION CONTAINED IN THIS DRAWING IS THE SOLE PROPERTY OF OBERON PERFORMANCE LTD. ANY REPRODUCTION IN PART OR AS A WHOLE WITHOUT THE WRITTEN PERMISSION OF OBERON PERFORMANCE LTD IS PROHIBITED.

DO NOT SCALE DRAWING		REVISION:	
			
TITLE:			
<h2>Streetfighter Mirror</h2>			
DWG NO:		A4	
<h3>Installation Instructions</h3>			
SCALE:			

# Adaptor 26 & 28 Instructions

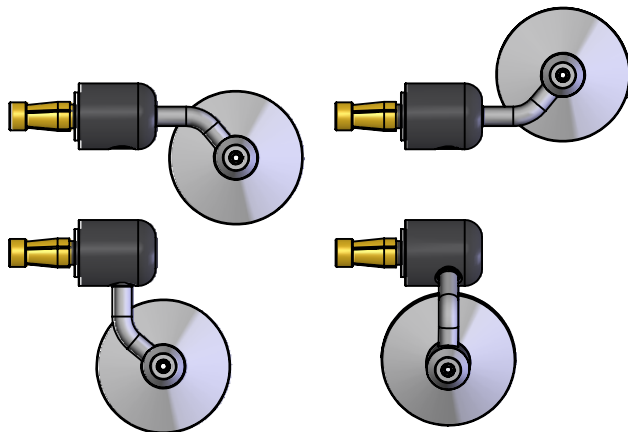
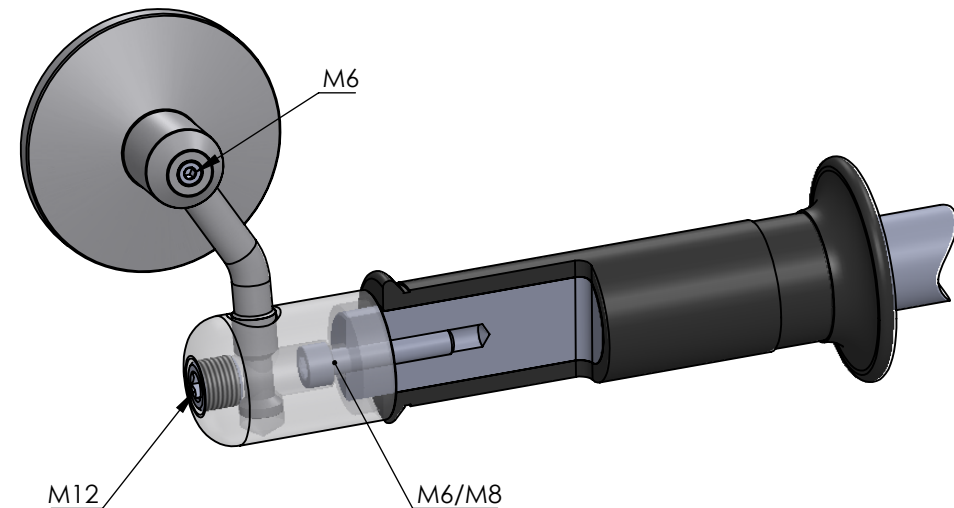
SKU: MIS-6026, MIS-6028  
MIS-7526, MIS-7528

## Preparation:

Before installing your new purchase please read and understand these instructions fully and make sure you have the required tools at hand.

1. Remove the original bar end and any fittings from the handlebar.
2. Extract the 12mm grub screw with a 6mm hex drive key and withdraw the mirror arm from the bar end.
3. Place the mirror bar end onto the end of the handlebar and lightly tighten the M6 or M8 bolt, depending on your adaptor kit, so that the bar end can still rotate with some form of resistance.
7. Re-assemble the mirror arm/bezel into the mirror bar end, using any of the different mounting positions. Use the 12mm grub screw to lightly tighten the arm in place allowing a degree of rotation for alignment.
8. Adjust the 6mm bolt in the back of the bezel to allow some form of movement with resistance. Sit on the bike and adjust the mirror bezel, arm and bar end to it's best position. Before moving on to step 9. carefully remove the arm and bezel. Tighten the M6/M8 bolt inside the bar end.
9. Replace the mirror arm and bezel and insert the M12 grub screw, again allowing the arm to rotate with some resistance.
10. Now spend as much time as you need to adjust the mirror to it's 'ideal' position. Double check the position and re-adjust as necessary. When satisfied the mirror is in the correct position tighten all of the grub screws.
11. Repeat if a pair of mirrors were purchased.
12. We suggest you apply a very small amount of thread locker to all fasteners. DO NOT use red Loctite. Periodically recheck all fastenings for tightness.

26 28



Alternative mounting positions

### PROPRIETARY AND CONFIDENTIAL

THE INFORMATION CONTAINED IN THIS DRAWING IS THE SOLE PROPERTY OF OBERON PERFORMANCE LTD. ANY REPRODUCTION IN PART OR AS A WHOLE WITHOUT THE WRITTEN PERMISSION OF OBERON PERFORMANCE LTD IS PROHIBITED.

DO NOT SCALE DRAWING		REVISION:
		
TITLE:		
<h2>Streetfighter Mirror</h2>		
DWG NO:	<h3>Installation Instructions</h3>	
SCALE:	A4	

# Adaptor 06 & 08 Instructions

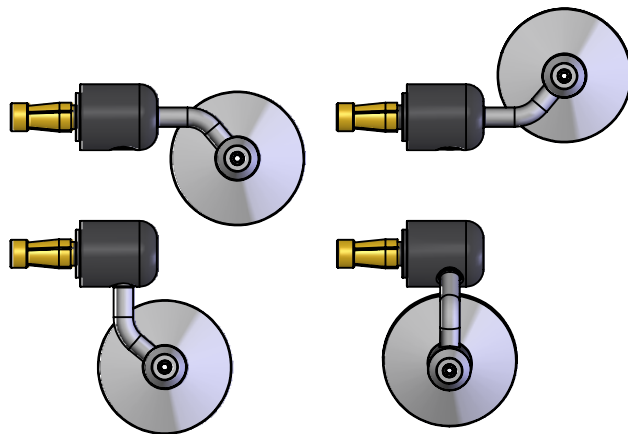
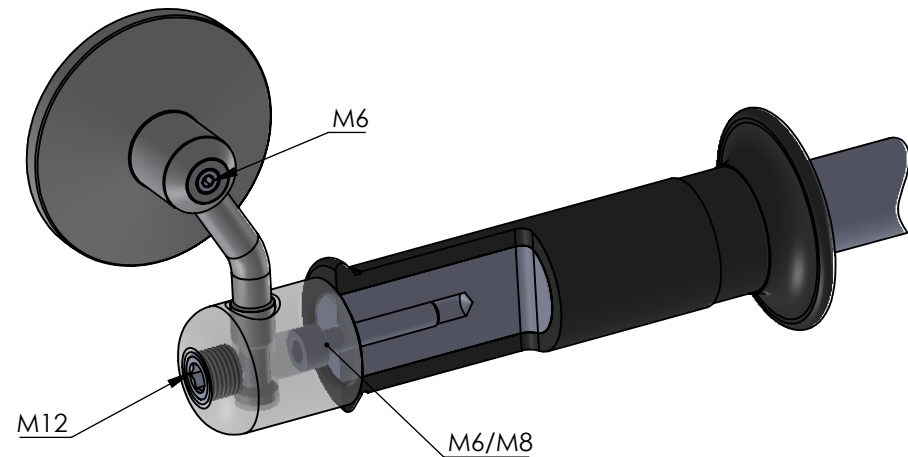
SKU: MIS-6006, MIS-6008  
MIS-7506, MIS-7508

## Preparation:

Before installing your new purchase please read and understand these instructions fully and make sure you have the required tools at hand.

1. Remove the original bar end and any fittings from the handlebar.
2. Extract the 12mm grub screw with a 6mm hex drive key and withdraw the mirror arm from the bar end.
3. Place the mirror bar end onto the end of the handlebar and lightly tighten the M6 or M8 bolt, depending on your adaptor kit, so that the bar end can still rotate with some form of resistance.
4. Re-assemble the mirror arm/bezel into the mirror bar end, using any of the different mounting positions. Use the 12mm grub screw to lightly tighten the arm in place allowing a degree of rotation for alignment.
5. Adjust the 6mm bolt in the back of the bezel to allow some form of movement with resistance. Sit on the bike and adjust the mirror bezel, arm and bar end to it's best position. Before moving on to step 9. carefully remove the arm and bezel. Tighten the M6/M8 bolt inside the bar end.
6. Replace the mirror arm and bezel and insert the M12 grub screw, again allowing the arm to rotate with some resistance.
7. Now spend as much time as you need to adjust the mirror to it's 'ideal' position. Double check the position and re-adjust as necessary. When satisfied the mirror is in the correct position tighten all of the grub screws.
8. Repeat if a pair of mirrors were purchased.
9. We suggest you apply a very small amount of thread locker to all fasteners. DO NOT use red Loctite. Periodically recheck all fastenings for tightness.

06 08



Alternative mounting positions

### PROPRIETARY AND CONFIDENTIAL

THE INFORMATION CONTAINED IN THIS DRAWING IS THE SOLE PROPERTY OF OBERON PERFORMANCE LTD. ANY REPRODUCTION IN PART OR AS A WHOLE WITHOUT THE WRITTEN PERMISSION OF OBERON PERFORMANCE LTD IS PROHIBITED.

DO NOT SCALE DRAWING		REVISION:
		
TITLE:		
<h2>Streetfighter Mirror</h2>		
DWG NO:	<h3>Installation Instructions</h3>	
SCALE:	A4	

# Adaptor 60 Instructions

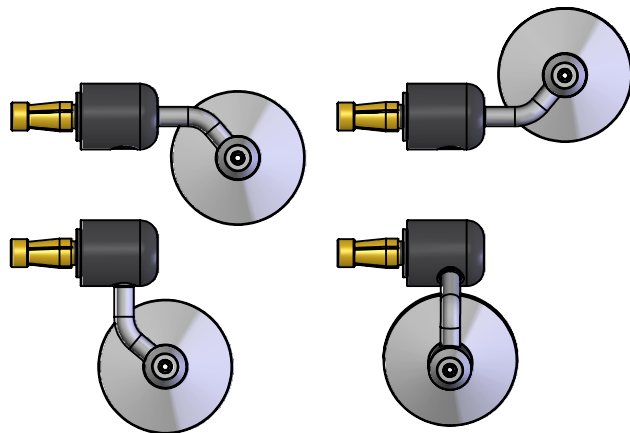
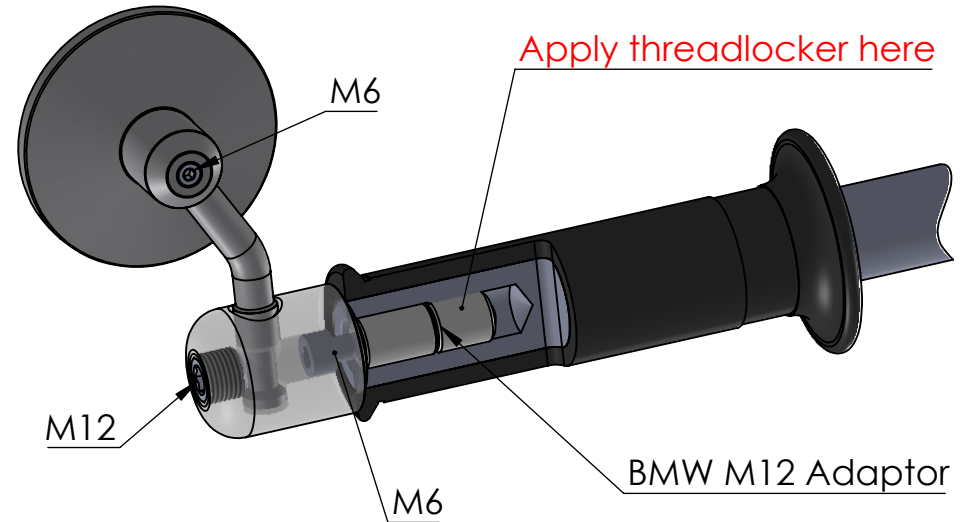
SKU: MIS-6060, MIS-7560

60

## Preparation:

Before installing your new purchase please read and understand these instructions fully and make sure you have the required tools at hand.

1. Remove the original bar end and any fittings from the handlebar.
2. Apply thread locker to M12 adaptor and drive home using a 6mm hex drive. Leave to cure. Red Loctite is recommended.
3. Extract the 12mm grub screw with a 6mm hex drive key and withdraw the mirror arm from the bar end.
4. Place the mirror bar end onto the end of the handlebar and lightly tighten the M6 or M8 bolt, depending on your adaptor kit, so that the bar end can still rotate with some form of resistance.
5. Re-assemble the mirror arm/bezel into the mirror bar end, using any of the different mounting positions. Use the 12mm grub screw to lightly tighten the arm in place allowing a degree of rotation for alignment.
6. Adjust the 6mm bolt in the back of the bezel to allow some form of movement with resistance. Sit on the bike and adjust the mirror bezel, arm and bar end to it's best position. Before moving on to step 9. carefully remove the arm and bezel. Tighten the M6 bolt inside the bar end.
7. Replace the mirror arm and bezel and insert the M12 grub screw, again allowing the arm to rotate with some resistance.
8. Now spend as much time as you need to adjust the mirror to it's 'ideal' position. Double check the position and re-adjust as necessary. When satisfied the mirror is in the correct position tighten all of the grub screws.
9. Repeat if a pair of mirrors were purchased.
10. We suggest you apply a very small amount of thread locker to all fasteners. DO NOT use red Loctite. Periodically recheck all fastenings for tightness.



Alternative mounting positions

**PROPRIETARY AND CONFIDENTIAL**

THE INFORMATION CONTAINED IN THIS DRAWING IS THE SOLE PROPERTY OF OBERON PERFORMANCE LTD. ANY REPRODUCTION IN PART OR AS A WHOLE WITHOUT THE WRITTEN PERMISSION OF OBERON PERFORMANCE LTD IS PROHIBITED.

DO NOT SCALE DRAWING		REVISION:
TITLE:		
<h2>Streetfighter Mirror</h2>		
DWG NO:	<h3>Installation Instructions</h3>	
SCALE:	<b>A4</b>	

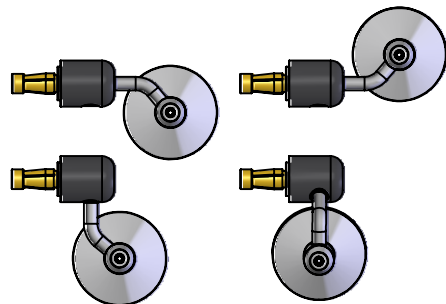
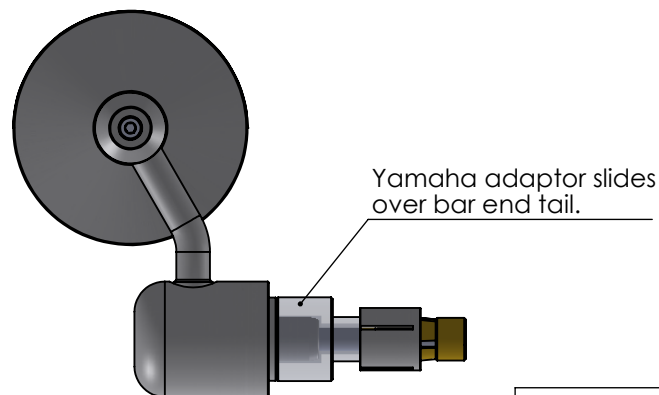
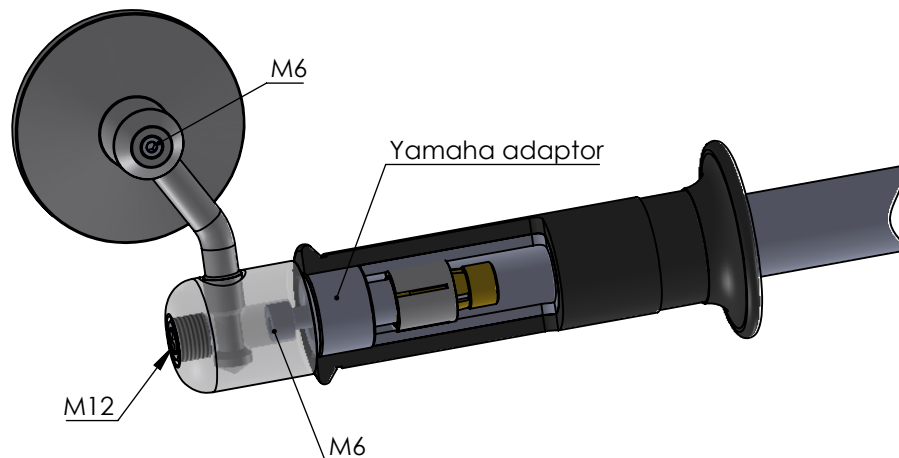
# Adaptor 16 Instructions

SKU: MIS-6016, MIS-7516

**Preparation:**

Before installing your new purchase please read and understand these instructions fully and make sure you have the required tools at hand.

1. Remove the original bar end and any fittings from the handlebar.
2. Check that the internal bore is clear of obstructions and burrs. Select the largest collet/adaptor that will fit into the hole with out forcing it in.
3. If one of the aluminium adaptors is a closer fit, slide this over the 14mm brass collet with the open end of the machined slots facing outwards.
4. Remove the 12mm grub screw with a 6mm hex drive key and withdraw the mirror arm from the bar end. Slightly loosen the M6 fastener which is located inside the bar end with a 5mm hex drive key.
5. Push the mirror bar end into the handlebar using the 5mm hex drive key. Lightly tighten the bolt so that the bar end can still rotate with some form of resistance.
6. Re-assemble the mirror arm/bezel into the mirror bar end, using any of the different mounting positions. Use the 12mm grub screw to lightly tighten the arm in place allowing a degree of rotation for alignment.
7. Adjust the 6mm bolt in the back of the bezel to allow some form of movement with resistance. Sit on the bike and adjust the mirror bezel, arm and bar end to it's best position. Before moving on to step 9. carefully remove the arm and bezel. Tighten the M6 bolt inside the bar end as tight as you can. Be careful on thin walled handlebar's not to expand the handlebar diameter to interfere with throttle rotation.
8. Replace the mirror arm and bezel and insert the M12 grub screw, again allowing the arm to rotate with some resistance.
9. Now spend as much time as you need to adjust the mirror to it's 'ideal' position. Double check the position and re-adjust as necessary. When satisfied the mirror is in the correct position tighten all of the grub screws.
10. Repeat if a pair of mirrors were purchased.
11. We suggest you apply a very small amount of thread locker to all fasteners. **DO NOT** use red Loctite. Periodically recheck all fastenings for tightness.



Alternative mounting positions

**PROPRIETARY AND CONFIDENTIAL**  
 THE INFORMATION CONTAINED IN THIS DRAWING IS THE SOLE PROPERTY OF OBERON PERFORMANCE LTD. ANY REPRODUCTION IN PART OR AS A WHOLE WITHOUT THE WRITTEN PERMISSION OF OBERON PERFORMANCE LTD IS PROHIBITED.

DO NOT SCALE DRAWING		REVISION:
TITLE: <h2>Streetfighter Mirror</h2>		
DWG NO:	Installation Instructions	A4
SCALE:		